

SOPS60GL

24" MULTI-FUNCTION OVEN

Porter & Charles

SOPS60GL

24" MULTI-FUNCTION OVEN



OVEN PROGRAMS

- Defrost
- Convection
- True Conventional Cooking
- Fan Assist
- Pizza Mode
- Half Grill
- Full Grill
- Fan Assist Grill

OVEN FEATURES

- 24" (60cm) built-in stainless steel and black glass oven
- 63 litre / 2.22 cu. Ft. capacity oven
- 8 cooking functions
- Retractable control knobs
- Down fold door
- Excellent heat stability and insulation
- Fully automatic clock / timer
- Black enamel interior
- 5 rack positions
- Double glazed oven door

OVEN CLEANING FEATURES

- Heat activated catalytic liners for easy cleaning
- Removable door and glass panes for easy cleaning

OVEN ACCESSORIES

- Grill/roasting pan
- Reversible grill insert
- 2 chrome oven racks

Specifications

SOPS60GL

OVEN DIMENSIONS

- D: 22^{1/2}" x W: 23^{7/16}" x H: 23^{7/16}"
- D: 571 mm x W: 595 mm x H: 595 mm

CUT-OUT DIMENSIONS

- D: min. 22^{1/16}" x W: min.22^{1/16}" x H: 22^{7/8}"
- D: min 560mm x W: min.560mm x H: 581mm

ELECTRICAL REQUIREMENTS

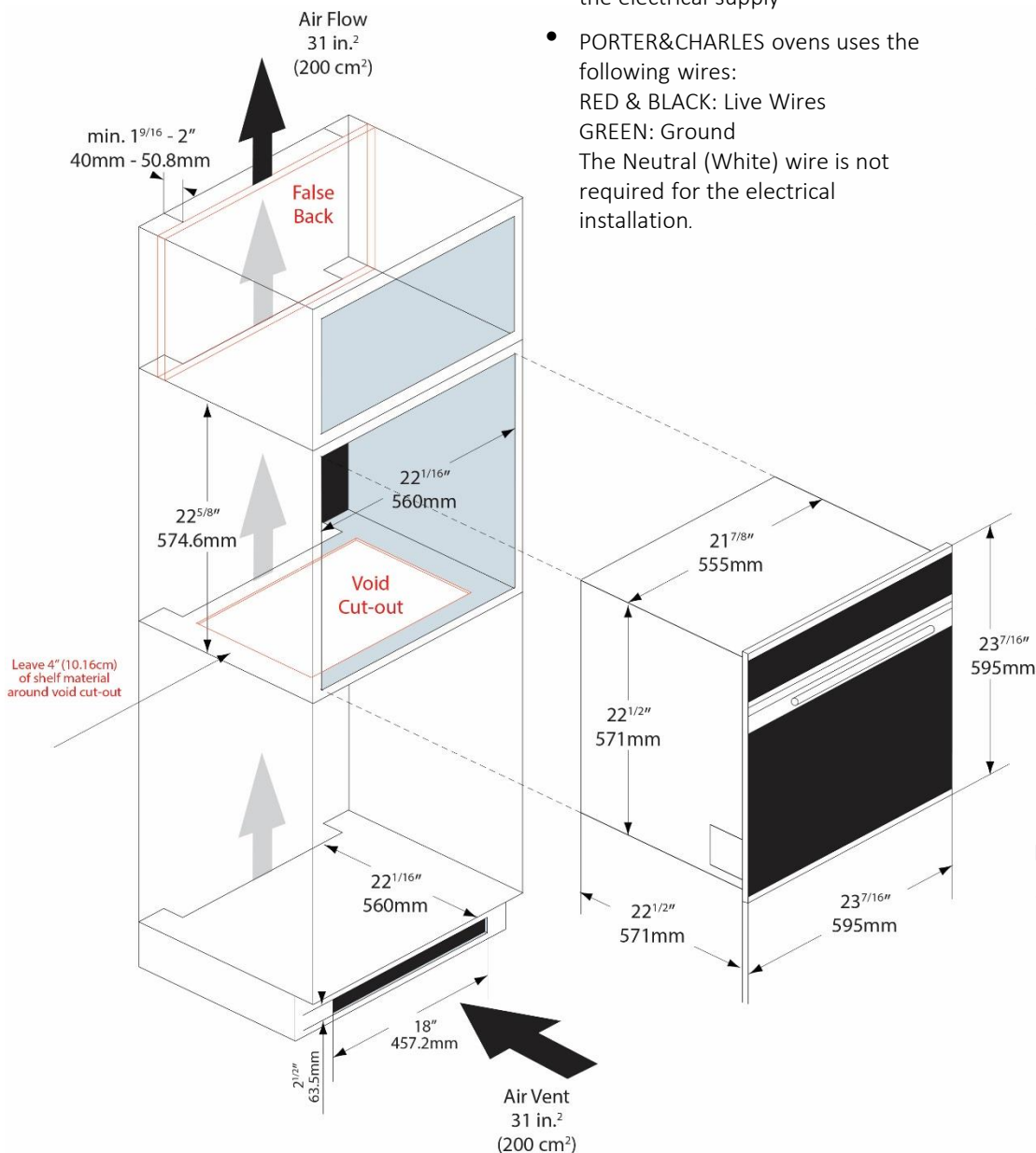
- 208 / 230 Volt, 60Hz, 2780 Watt, 20 AMP

IMPORTANT

- PORTER&CHARLES ovens are supplied with a 4' long electrical cable and must be hard wired to the electrical supply
- PORTER&CHARLES ovens uses the following wires:
RED & BLACK: Live Wires
GREEN: Ground
The Neutral (White) wire is not required for the electrical installation.

VOID CUT-OUT

- If the oven is mounted in a tall or demi-tall cabinet, there must be a minimum gap of 1^{9/16}" (4cm) cut out of the shelf and behind the upper cabinet to allow air to flow freely
- A void must be cut-out in the shelf of the cabinet. Leave 4" of shelf material around the void.
- Additional support must be added to the shelf with the void. The support must be able to withstand the oven weight.
- If sufficient air flow is not provided, the life of the appliance will be shortened.
- Cut-out in the toe kick is optional and recommended.
- Optional bottom vent grill (7427640) available.



FALSE BACKS

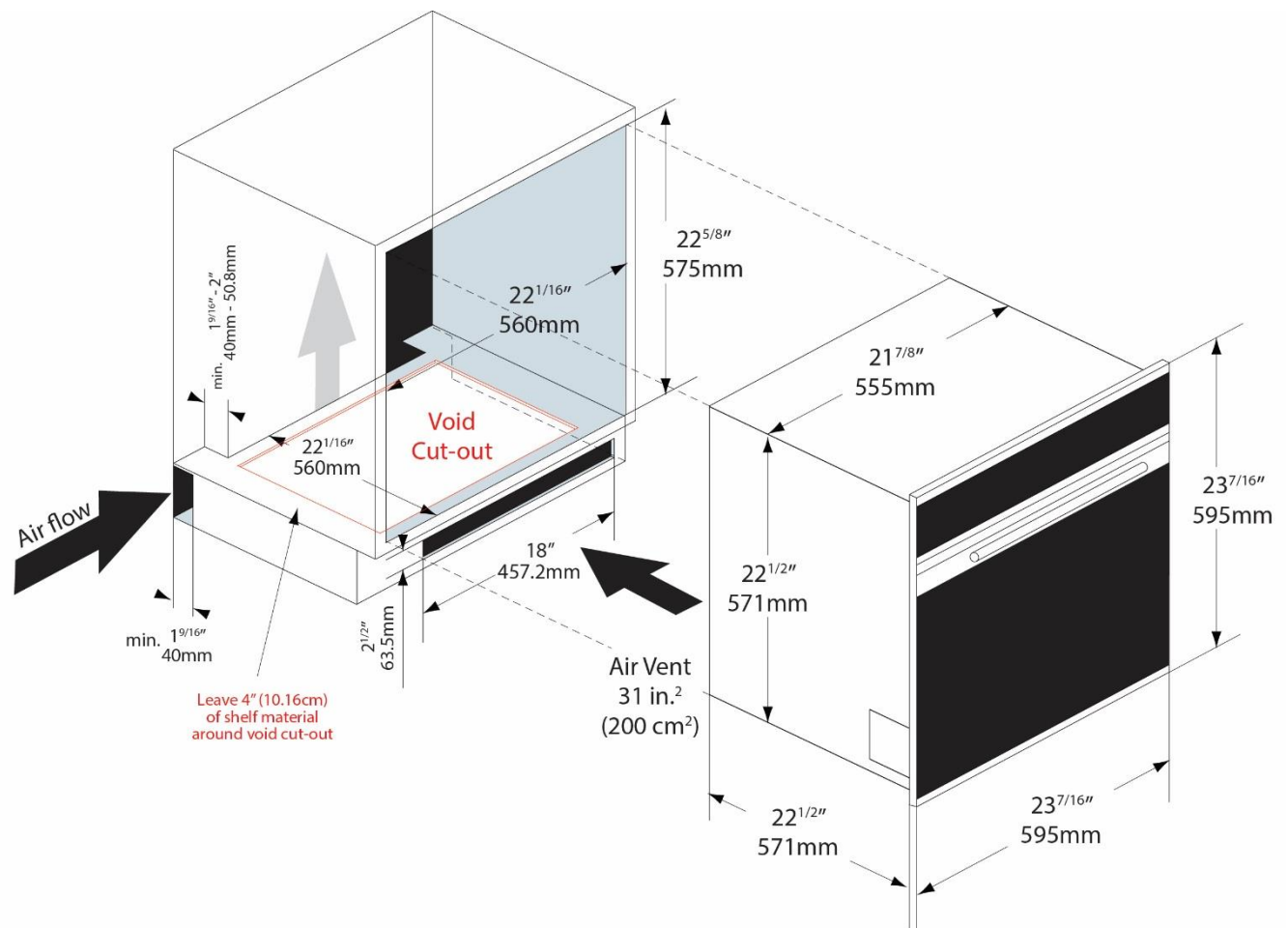
- Install false backs for storage spaces. This will prevent contents from falling through the vent space. In addition, warm air will not interfere with your stored contents

Specifications

SOPS60GL

AIR FLOW REQUIREMENTS

- If the oven is being placed under the counter, there must be a minimum gap of $1\frac{9}{16}$ " (4cm) cut out of the shelf behind the oven to allow air to flow freely.
- If sufficient air flow is not provided, the life of the appliance will be shortened.
- Cut-out in the toe kick is optional and recommended.
- Bottom vent grill (7427640) available.



Porter & Charles appliances are designed and manufactured to the highest standards.
Each appliance is covered by a comprehensive 2 year parts and labour warranty.

www.porterandcharles.com

Refer to product warranty policy for complete terms and conditions.

FOR PARTS & SERVICE

Euro-Parts & Service

39822 Belgrave Road
Belgrave, ON N0G 1E0
1-800-678-8352 (CANADA)
1-800-561-4614 (USA)
www.euro-parts.ca
parts@euro-parts.ca
service@euro-parts.ca

Porter & Charles appliances are imported & distributed in North America by Euro-Line Appliances Inc.

For more information please visit one of our showrooms or

www.euro-line-appliances.com / www.elawest.com

EURO-LINE APPLIANCES INC.

871 Cranberry Court
Oakville, ON L6L 6J7
905-829-3980
1-800-421-6332
marketing@euro-line-appliances.com

EURO-LINE APPLIANCES WEST INC.

2912 West 4th Avenue
Vancouver, BC V6K 1R2
604-235-3980
1-855-ELA-WEST
info@elawest.com