

Porter & Charles

SOPS60-EL



# SOPS60-EL

24" Stainless Steel Oven



- 24" (60cm) wide stainless steel oven
- 92L (3.24 cu.ft) capacity
- Heat-activated catalytic liners for a continuous clean
- LCD touch display with electronic temperature control
- 9 cooking functions including True Fan convection
- Inclined ceiling light
- Hot air cooking technology giving perfect & even cooking
- Triple glazed door
- Full extension telescopic rails

## Porter & Charles

# SOPS60-EL

## 24" Stainless Steel Oven

### Dimensions:

D: 21<sup>7/8"</sup> ■ W: 23<sup>1/2"</sup> ■ H: 24<sup>3/16"</sup>

D: 555 mm ■ W: 597 mm ■ H: 615 mm

### Cut-out Dimensions

D: min.22<sup>1/4"</sup> ■ W: 22<sup>7/16"</sup> ■ H: 23<sup>3/16"</sup>

D: min.565 mm ■ W: 570 mm ■ H: 614 mm

### Electrical Requirements

Condominium Electrical Requirements

208 Volt, 60Hz, 2780 Watt, 20 AMP

### House Electrical Requirements

240 Volt, 60Hz, 3660 Watt, 20 AMP

\* PORTER&CHARLES ovens are supplied with a 5' long electrical cable and must be hard wired to the electrical supply

\* PORTER&CHARLES ovens uses the following wires:

RED & BLACK: Live Wires

GREEN: Ground

\* The Neutral (White) wire is not required for the electrical installation.

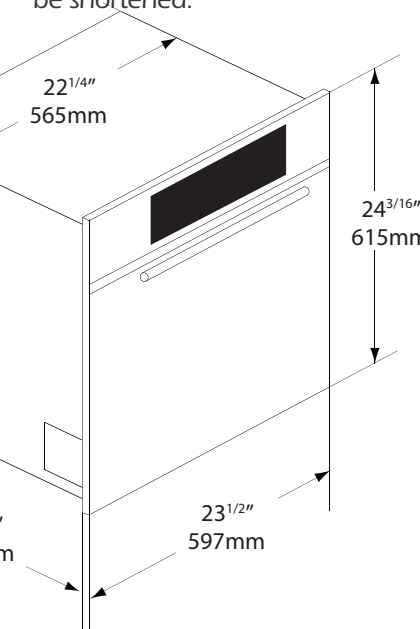
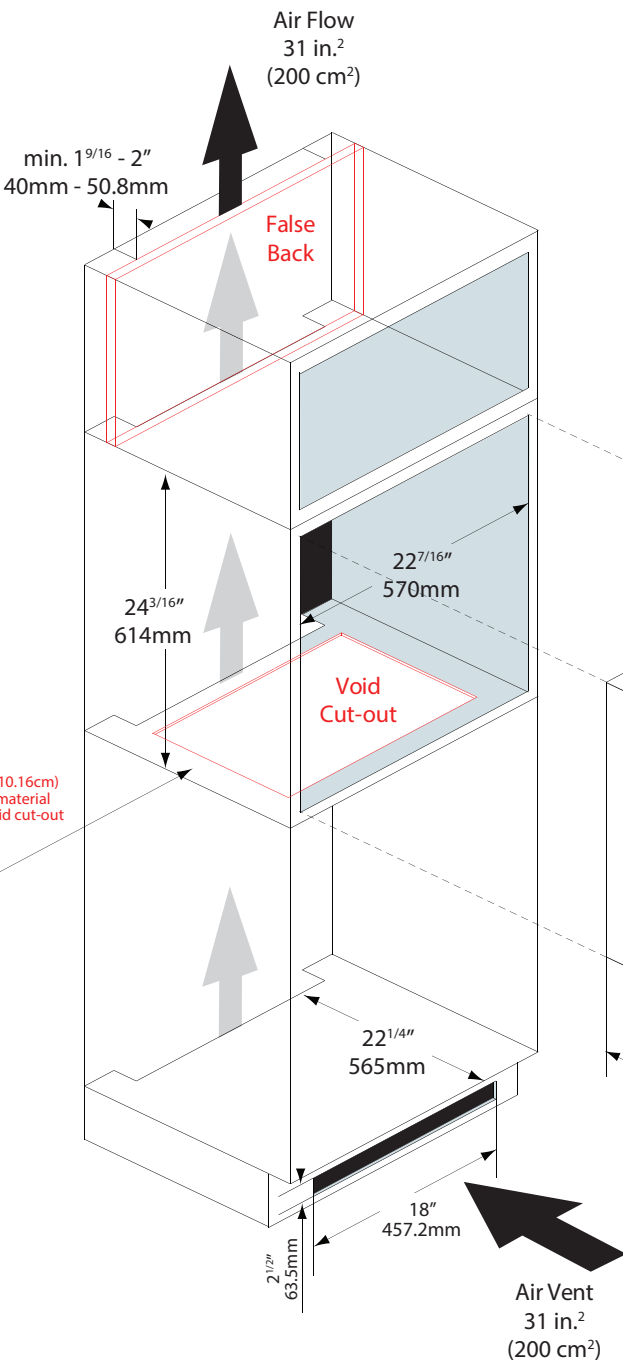
### Void Cutout

\* If the oven is mounted in a tall or demi-tall cabinet, there must be a minimum gap of 1<sup>9/16"</sup> (4cm) cut out of the shelf and behind the upper cabinet to allow air to flow freely

\*A void must be cut-out in the shelf of the cabinet. Leave 4" of shelf material around the void.

\* Additional support must be added to the shelf with the void. The support must be able to withstand the oven weight.

\* If insufficient air flow is provided, the life of the appliance will be shortened.



\*NOTE\*  
Install false backs for storage spaces. This will prevent contents from falling through the vent space. In addition, warm air will not interfere with your stored contents.

# Porter & Charles

# SOPS60-EL

## 24" Stainless Steel Oven

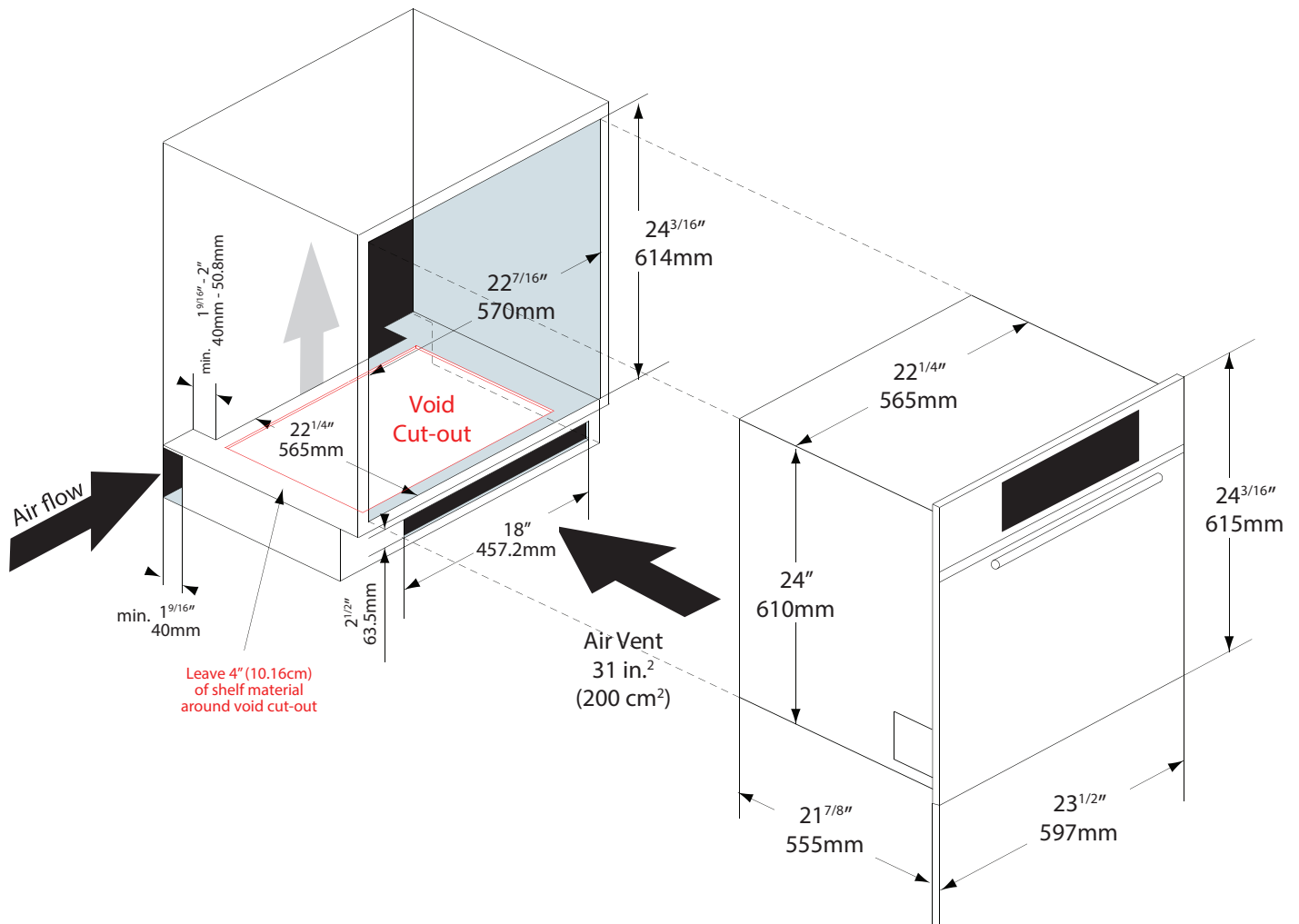
### Air Flow Requirements

\* If the oven is being placed under the counter, there must be a minimum gap of  $1\frac{9}{16}$ " (4cm) cut out of the shelf behind the oven to allow air to flow freely.

\* A void must be cut-out in the shelf of the cabinet. Leave 4" of shelf material around the void.

\* Additional support must be added to the shelf with the void. The support must be able to withstand the oven weight.

\* If insufficient air flow is provided, the life of the appliance will be shortened.



# Porter & Charles

**Porter&Charles** products are designed and built to the highest standards.  
Each appliance is covered by a comprehensive 2 year parts and labour warranty.

Refer to product warranty policy for complete terms and conditions.

For Service & Parts  
**EURO-PARTS**  
1.800.678.8352

---

Porter&Charles appliances are imported and distributed in North America by Euro-Line Appliances Inc.  
For more information visit  
[www.euro-line-appliances.com](http://www.euro-line-appliances.com) / [www.elawest.com](http://www.elawest.com)

***EURO-LINE APPLIANCES INC.***

871 Cranberry Court  
Oakville, ON L6L 6J7  
Canada  
Toll Free: 1.800.421.6332  
Showroom: 905.829.3980  
[marketing@euro-line-appliances.com](mailto:marketing@euro-line-appliances.com)

***EURO-LINE APPLIANCES WEST INC.***

2912 West 4th Ave  
Vancouver, BC V6K 1R2  
Canada  
Toll Free: 1.855.ELA WEST (352.9378)  
Showroom: 604.235.3980  
[info@elawest.com](mailto:info@elawest.com)