

FEG90B-2  
36" Dual Fuel Freestanding Range

Porter & Charles

# FEG90B-2

## 36" Dual Fuel Freestanding Range



### RANGE FEATURES

- 36" (90cm) anti-fingerprint stainless steel dual fuel range
- Anti-fingerprint stainless steel
- 120L(4.3cu.ft) oven capacity
- 9 cooking functions including True Fan convection
- Triple glazed door
- True Fan cooking technology
- 5 sealed gas burners
- Residual heat indicator
- Catalytic low temperature continuous clean liners
- Metric and imperial backing chart on inside of door
- Full extension telescopic rails
- Fully programmable clock/timer with delay start and finish
- Warming drawer

### COOK TOP FEATURES

- 1 x Wok Burner – 15,600 BTU
- 1 x Rapid Burner – 11,500 BTU
- 2 x Semi-Rapid Burner – 8,000 BTU
- 1 x Auxiliary Burner – 5,000 BTU

### OVEN FEATURES

- 120L(4.3 cu.ft) oven capacity
- Defrost
- Pizza mode
- Conventional Oven Cooking
- Fan Assist Cooking
- Classic baking
- High bake
- True Fan Convection cooking
- Fan assist grill
- Full grill
- Half grill

# Specifications

## FEG90B-2

### RANGE DIMENSIONS

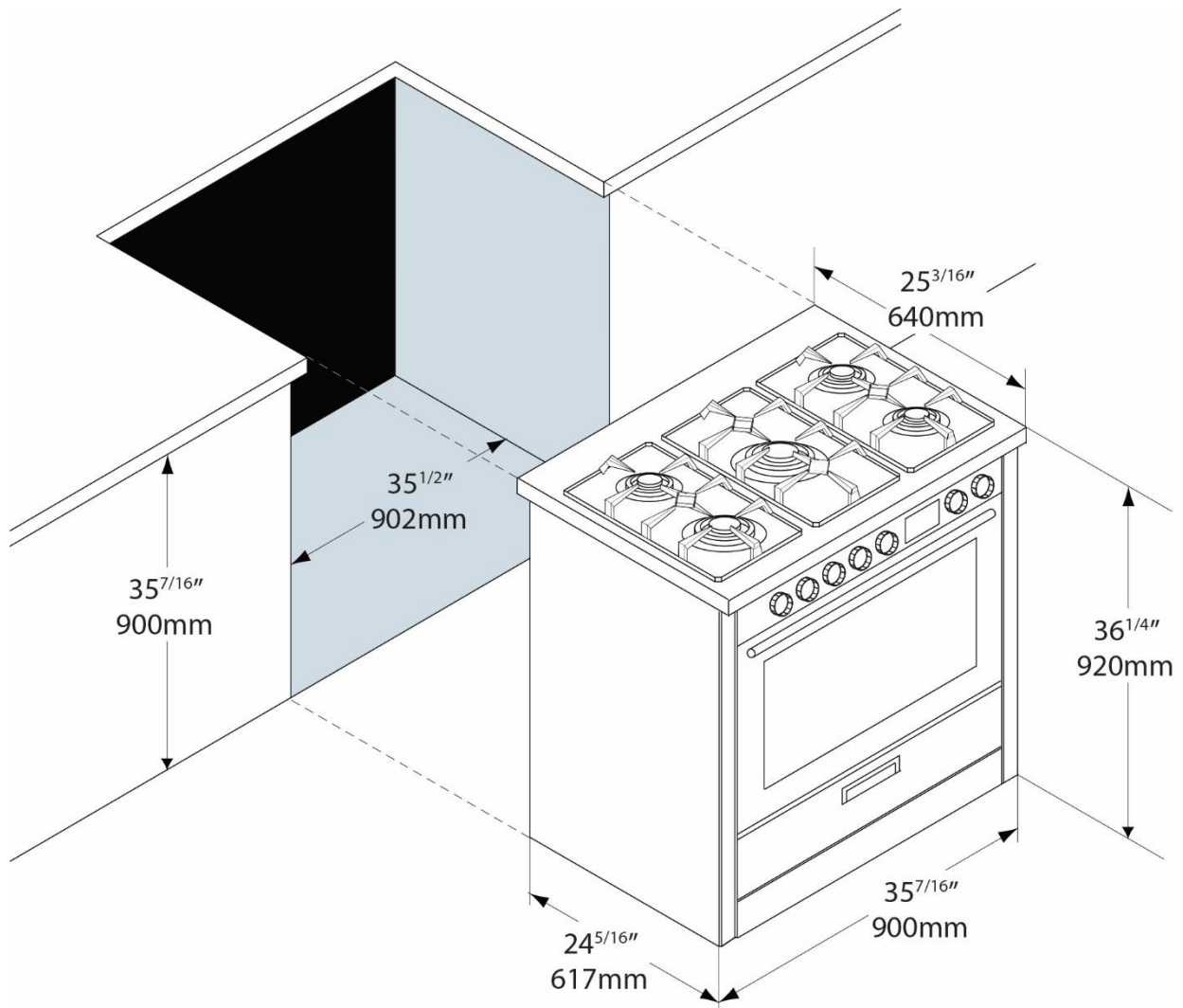
- D:  $24\frac{5}{16}$ " x W:  $35\frac{7}{16}$ " x H:  $36\frac{1}{4}$ "
- D: 617 mm x W: 900 mm x H: 920 mm

### CUT-OUT DIMENSIONS

- H:  $35\frac{7}{16}$ " x W:  $35\frac{1}{2}$ "
- H: 900 mm x W: 902 mm

### ELECTRICAL REQUIREMENTS

- 208 / 240 Volt 60Hz
- PORTER&CHARLES Ranges are supplied with 40 AMP corded plug



Specifications are subject to change without notice.

Detailed Specification Available at [www.porterandcharles.ca](http://www.porterandcharles.ca)

# Specifications

## FEG90B-2

### RANGE DIMENSIONS

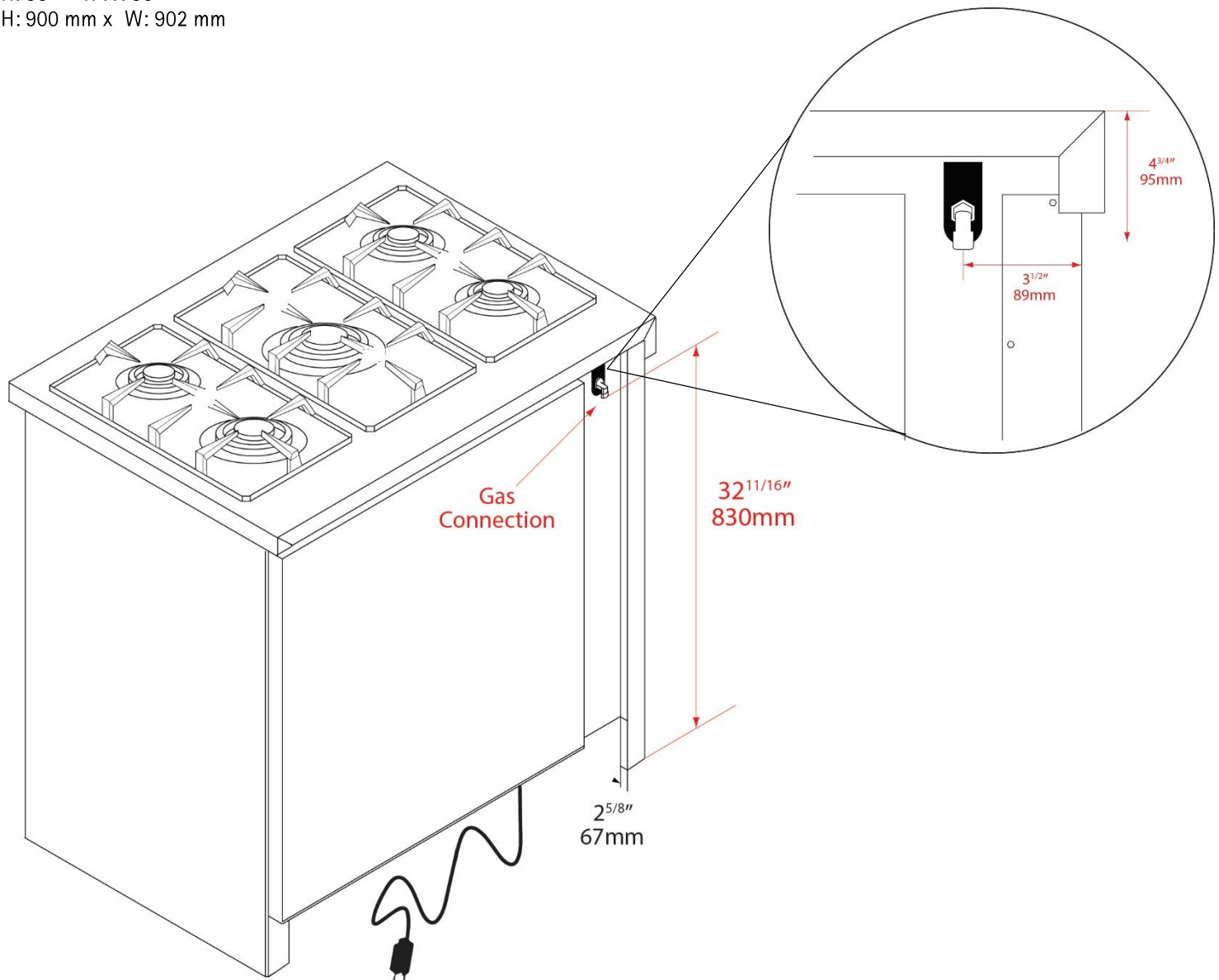
- D: 24<sup>5</sup>/<sub>16</sub>" x W: 35<sup>7</sup>/<sub>16</sub>" x H: 36<sup>1</sup>/<sub>4</sub>"
- D: 617 mm x W: 900 mm x H: 920 mm

### CUT-OUT DIMENSIONS

- H: 35<sup>7</sup>/<sub>16</sub>" x W: 35<sup>1</sup>/<sub>2</sub>"
- H: 900 mm x W: 902 mm

### ELECTRICAL REQUIREMENTS

- 208 / 240 Volt 60Hz
- PORTER&CHARLES Ranges are supplied with 40 AMP corded plug



Specifications are subject to change without notice.

Detailed Specification Available at [www.porterandcharles.ca](http://www.porterandcharles.ca)

**Porter&Charles** products are designed and built to the highest standards.  
Each appliance is covered by a comprehensive 2 year parts and labour warranty.

Refer to product warranty policy for complete terms and conditions.

For Service & Parts  
**EURO-PARTS**

39822 Belgrave Rd,  
Belgrave, Ontario, Canada,  
N0G 1E0  
1.800.678.8352

---

Porter&Charles appliances are imported and distributed in North America by Euro-Line Appliances Inc.  
For more information visit  
[www.euro-line-appliances.com](http://www.euro-line-appliances.com) / [www.elawest.com](http://www.elawest.com)

***EURO-LINE APPLIANCES INC.***

871 Cranberry Court  
Oakville, ON L6L 6J7  
Canada  
Toll Free: 1-800-421-6332  
Showroom: 905-829-3980  
[marketing@euro-line-appliances.com](mailto:marketing@euro-line-appliances.com)

***EURO-LINE APPLIANCES WEST INC.***

2912 West 4th Ave  
Vancouver, BC V6K 1R2  
Canada  
Toll Free: 1-855-352-9378  
Showroom: 604-235-3980  
[info@elawest.com](mailto:info@elawest.com)