

FEG76B-2
30" Dual Fuel Freestanding Range

Porter & Charles

FEG76B-2

30" Dual Fuel Freestanding Range



RANGE FEATURES

- 30" (76cm) stainless steel dual fuel range
- 105L(3.8cu.ft) oven capacity
- 9 cooking functions including
- True Fan convection cooking technology for perfect cooking
- Triple glazed door
- 5 sealed gas burners
- Continuous cast iron grates
- Catalytic low temperature continuous cleaning liners
- Metric and imperial baking chart on inside of door
- Full extension telescopic rails
- Fully programmable clock/timer with delay start and finish
- Warming drawer

COOK TOP FEATURES

- 1 x Wok Burner – 15,600 BTU
- 1 x Rapid Burner – 11,500 BTU
- 2 x Semi-Rapi Burner – 8,000 BTU
- 1 x Auxillary Burner – 5,000 BTU

OVEN FEATURES

- 105L(3.8cu.ft)oven capacity
- Defrost
- Conventional Cooking
- True Fan Convection Cooking
- Fan Assist Cooking
- Half Grill
- Full Grill
- Fan Grill
- High Bake
- Pizza

Specifications

FEG76B-2

RANGE DIMENSIONS

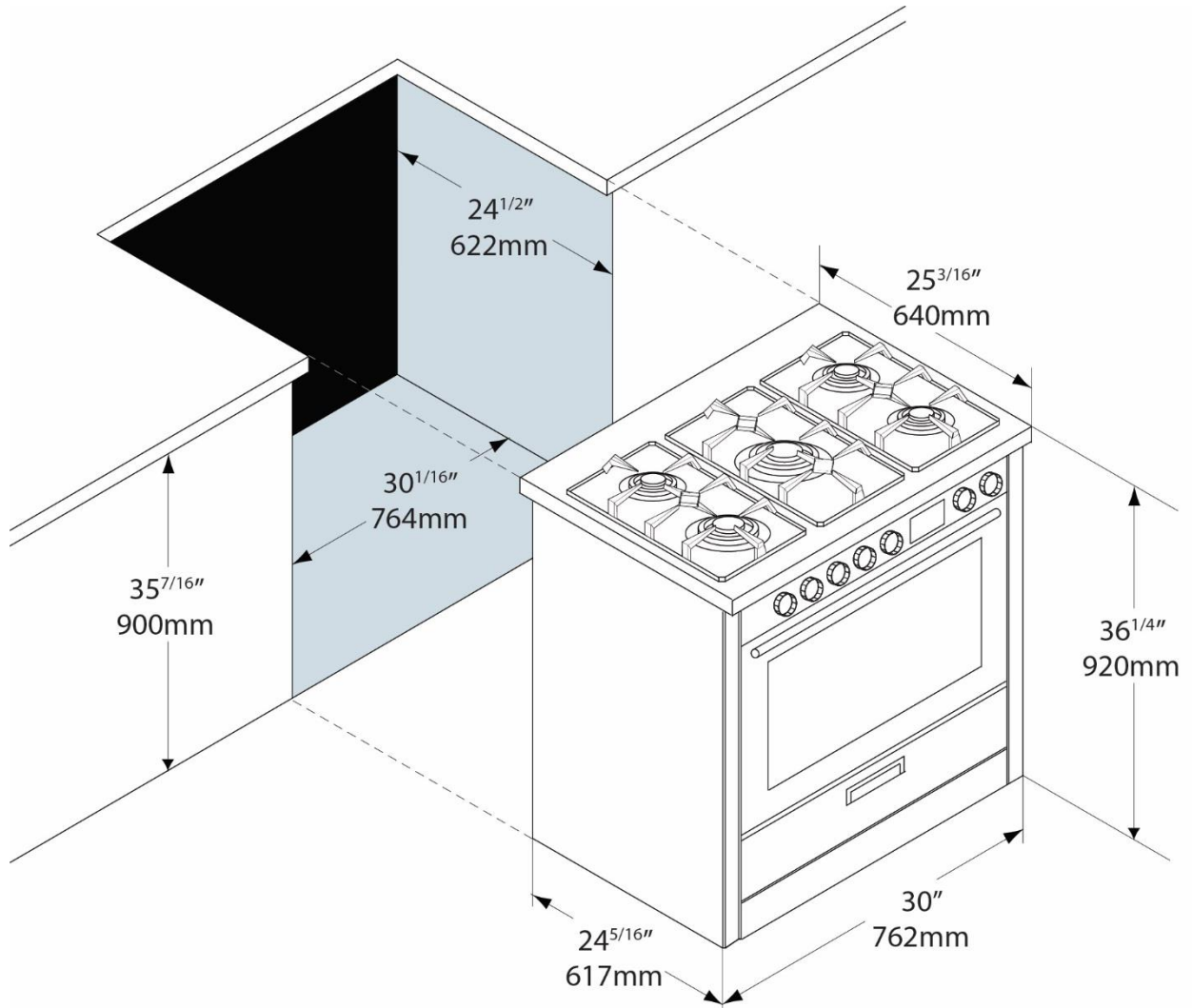
- D: 25^{3/16}" x W: 30" x H: 36^{1/4}"
- D: 640 mm x W: 762 x H: 920 mm

CUT-OUT DIMENSIONS

- D: 24^{1/2}" x W: 30^{1/16}"
- D: 622 mm x W: 764 mm

ELECTRICAL REQUIREMENTS

- 208 / 240 Volt 60Hz, 40AMP
- PORTER&CHARLES ovens are supplied with a 4' long electrical cable and plug, located from the bottom right in the rear of the range.



Specifications are subject to change without notice.

Detailed Specification Available at www.porterandcharles.ca

Specifications

FEG76B-2

RANGE DIMENSIONS

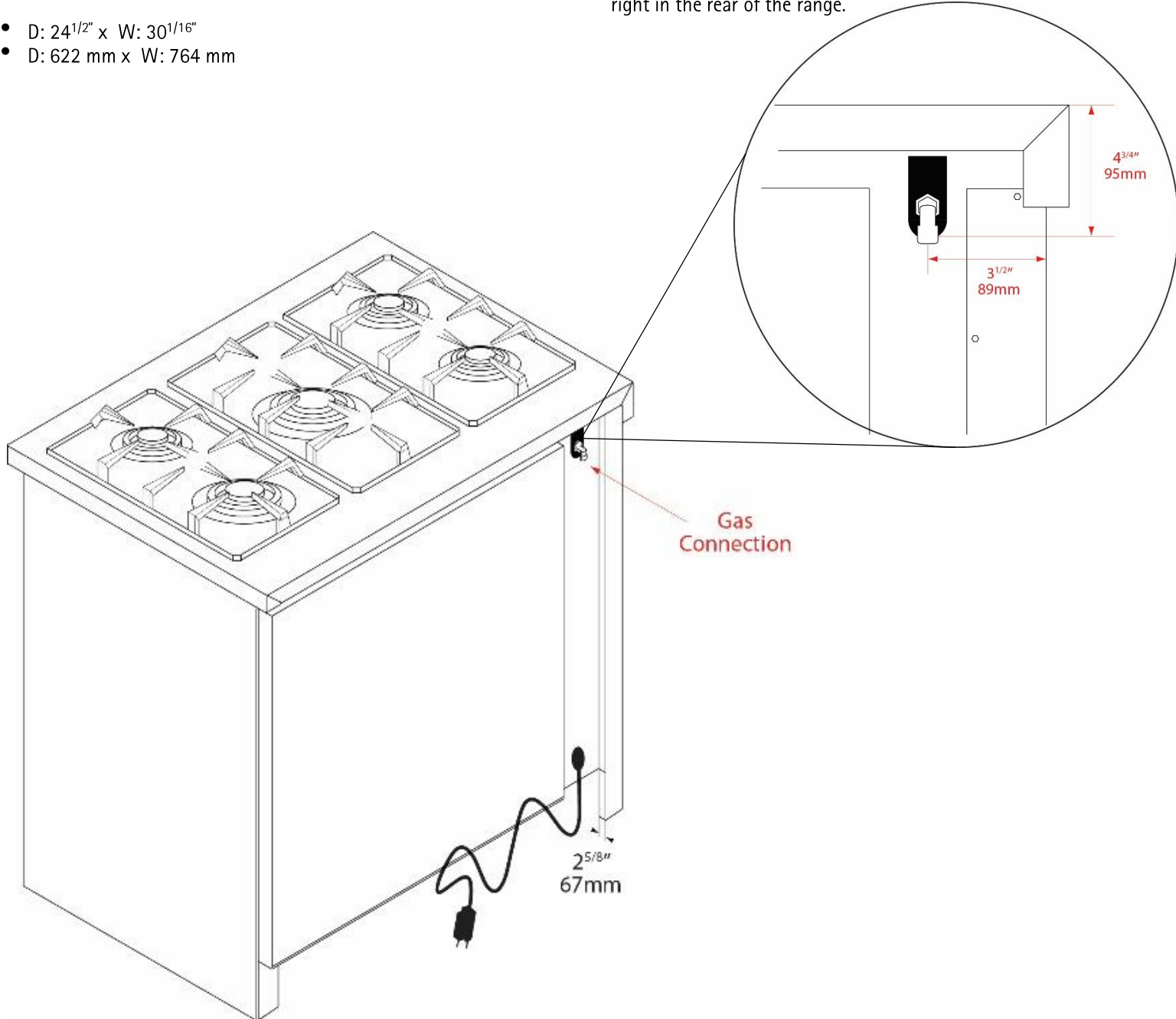
- D: 25^{3/16"} x W: 30" x H: 36^{1/4"}
- D: 640 mm x W: 762 x H: 920 mm

CUT-OUT DIMENSIONS

- D: 24^{1/2"} x W: 30^{1/16"}
- D: 622 mm x W: 764 mm

ELECTRICAL REQUIREMENTS

- 208 / 240 Volt 60Hz, 40AMP
- PORTER&CHARLES ovens are supplied with a 4' long electrical cable and plug, located from the bottom right in the rear of the range.



Specifications are subject to change without notice.

Detailed Specification Available at www.porterandcharles.ca

Porter&Charles products are designed and built to the highest standards.
Each appliance is covered by a comprehensive 2 year parts and labour warranty.

Refer to product warranty policy for complete terms and conditions.

For Service & Parts
EURO-PARTS

39822 Belgrave Rd,
Belgrave, Ontario, Canada,
N0G 1E0
1.800.678.8352

Porter&Charles appliances are imported and distributed in North America by Euro-Line Appliances Inc.
For more information visit
www.euro-line-appliances.com / www.elawest.com

EURO-LINE APPLIANCES INC.

871 Cranberry Court
Oakville, ON L6L 6J7
Canada
Toll Free: 1-800-421-6332
Showroom: 905-829-3980
marketing@euro-line-appliances.com

EURO-LINE APPLIANCES WEST INC.

2912 West 4th Ave
Vancouver, BC V6K 1R2
Canada
Toll Free: 1-855-352-9378
Showroom: 604-235-3980
info@elawest.com