

Porter & Charles

CG90-WOK



CG90-WOK

36" Gas Cooktop



- 36" (90cm) 5 burner gas cooktop
- Continuous cast iron support grates
- Electronic ignition with flame failure safety
- Ergonomically placed control knobs
- Automatic integrated ignition
- 2" deep for easy installation
- 5 high quality burners
 - o 1 x WOK burner – 16,000 BTU
 - o 1 x rapid burner – 11,000 BTU
 - o 2 x semi-rapid burner – 6,000 BTU
 - o 1 x simmer burner – 3,000 BTU to 600 BTU

Porter&Charles

CG90-WOK

36" Gas Cooktop

Dimensions:

L: 20" ■ W: 33⁷/₈"

L: 51 cm ■ W: 86 cm

Cut-out Dimensions

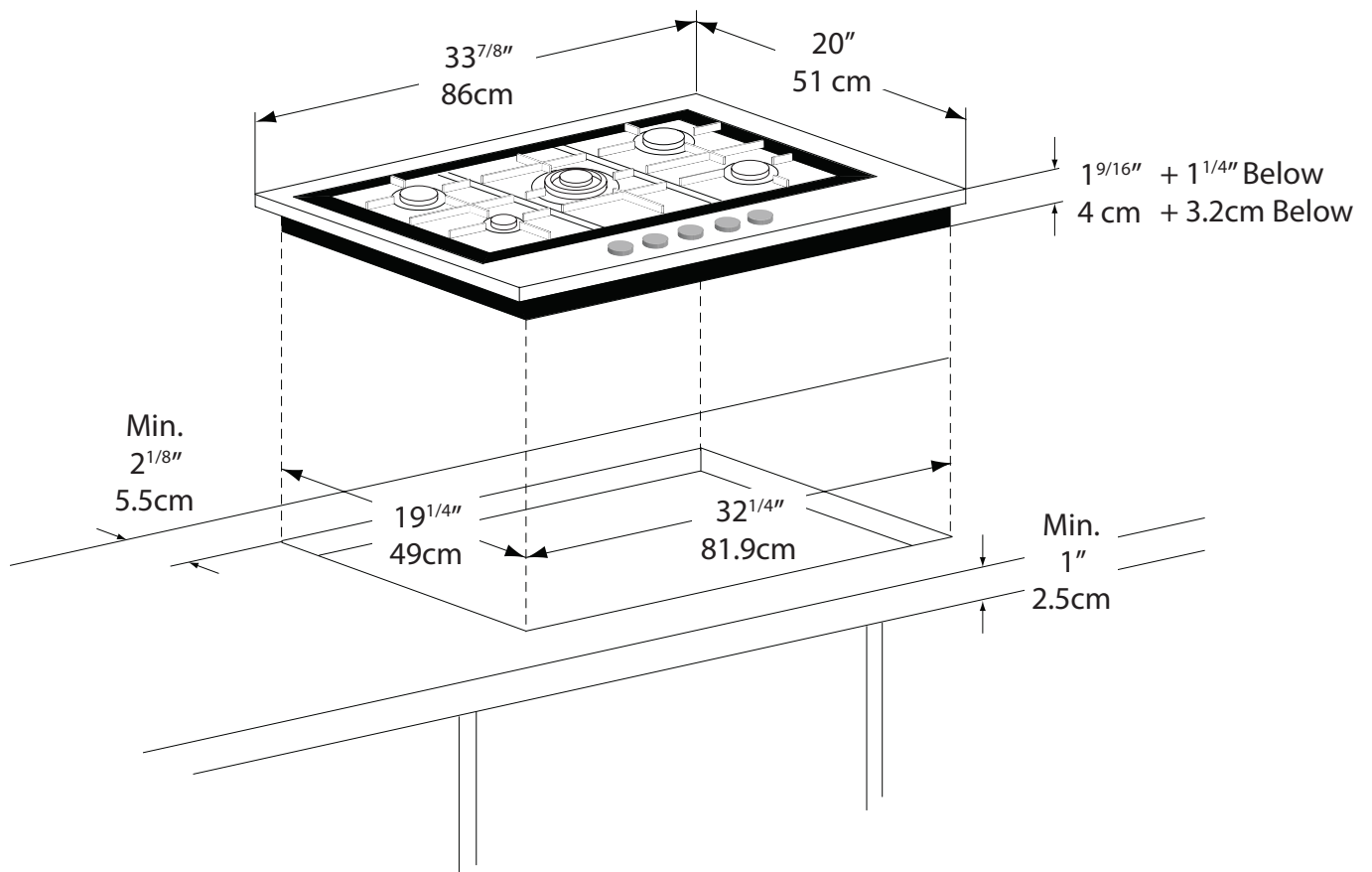
L: 19¹/₄" ■ W: 32¹/₄"

L: 49 cm ■ W: 81.9 cm

Electrical Requirements

115 Volt, 60Hz, 15AMP

*P&C Cooktops are supplied with a 3' long cable and must be hard wired.



Porter & Charles

Porter&Charles products are designed and built to the highest standards.
Each appliance is covered by a comprehensive 2 year parts and labour warranty.

Refer to product warranty policy for complete terms and conditions.

For Service & Parts
EURO-PARTS
1-800.678-8352

Porter&Charles appliances are imported and distributed in North America by Euro-Line Appliances Inc.
For more information visit
www.euro-line-appliances.com / www.elawest.com

EURO-LINE APPLIANCES INC.

871 Cranberry Court
Oakville, ON L6L 6J7
Canada
Toll Free: 1-800-421-6332
Showroom: 905-829-3980
marketing@euro-line-appliances.com

EURO-LINE APPLIANCES WEST INC.

2912 West 4th Ave
Vancouver, BC V6K 1R2
Canada
Toll Free: 1-855-352-9378
Showroom: 604-235-3980
info@elawest.com