

CG90WOK-F

36" Gas Cooktop

Porter & Charles

CG90WOK-F

36" Gas Cooktop



COOKTOP FEATURES

- 5 high quality gas burners
- Continuous cast iron support grates
- UltraFlush stainless steel design
- Ergonomically placed control knobs
- Electronic ignition with flame failure safety
- Shallow depth allows for easy install over drawers or an oven

COOKTOP PERFORMANCE

- 5 high quality burners
 - 1 x double ring wok burner – 17,500 BTU
 - 1 x rapid burner – 11,500 BTU
 - 2 x semi-rapid burner – 8,000 BTU
 - 1 x true simmer burner – 5,000 BTU down to 600 BTU

COOKTOP DIMENSIONS

- D: 20" x W: 35^{1/16}"
- D: 508mm x W: 890mm

CUT-OUT DIMENSIONS

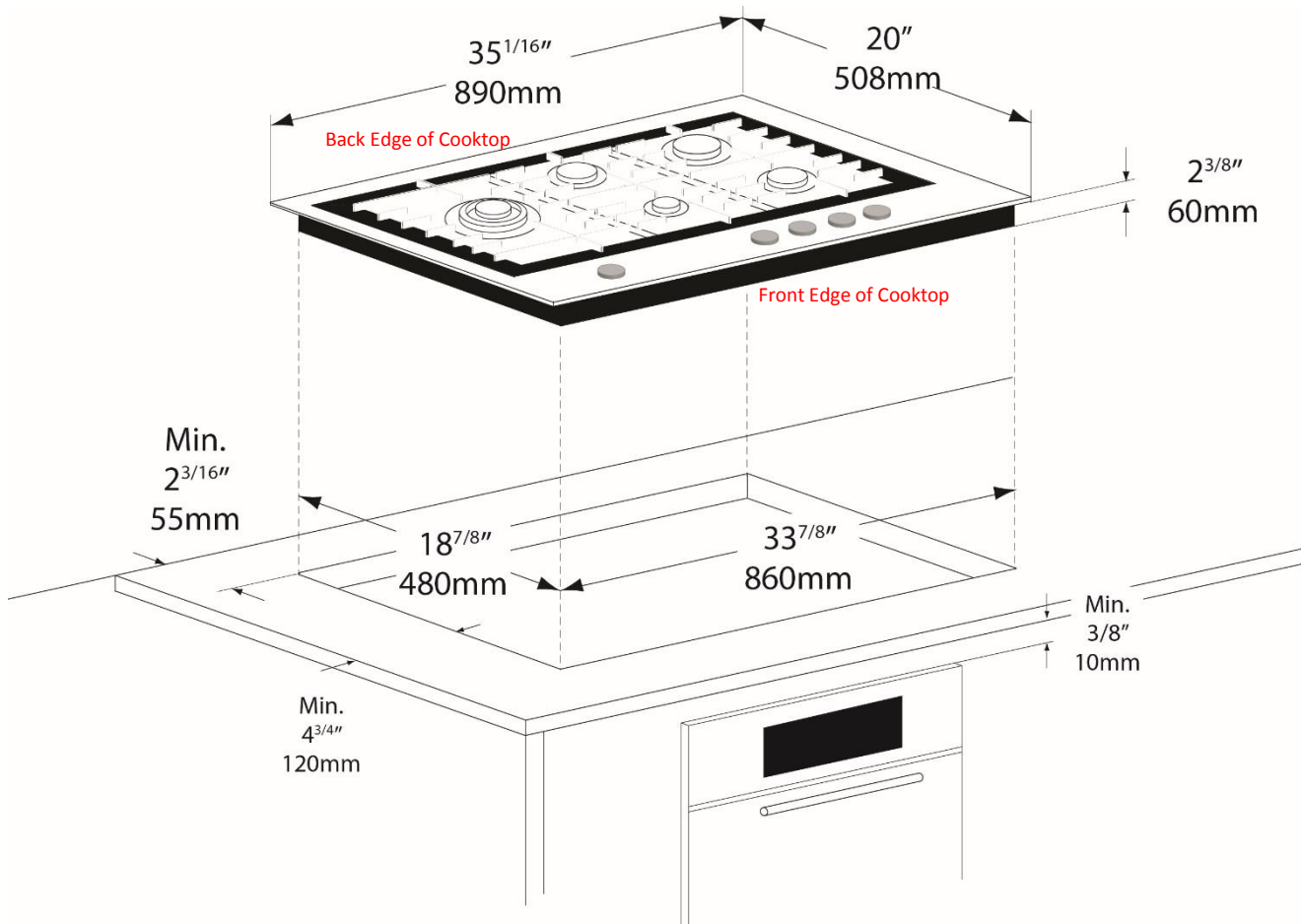
- D: 18^{7/8}" x W: 33^{7/8}"
- D: 480mm x W: 860mm

ELECTRICAL REQUIREMENTS

- 115 Volt, 60Hz, 15 AMP
- P&C Cooktops are supplied with a 5' long electrical cord and 15 AMP plug.

Specifications

CG90WOK-F



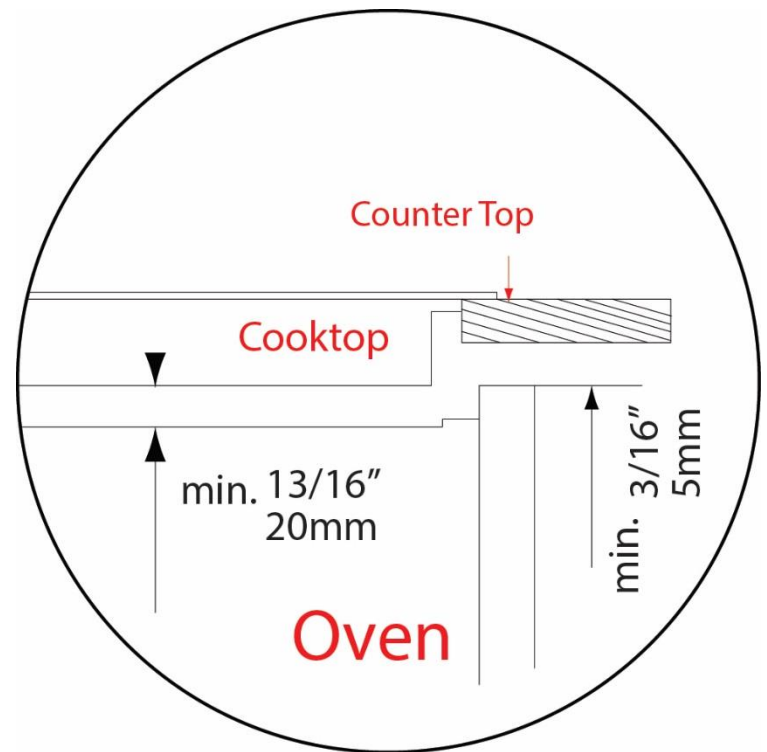
Specifications

CG90WOK-F

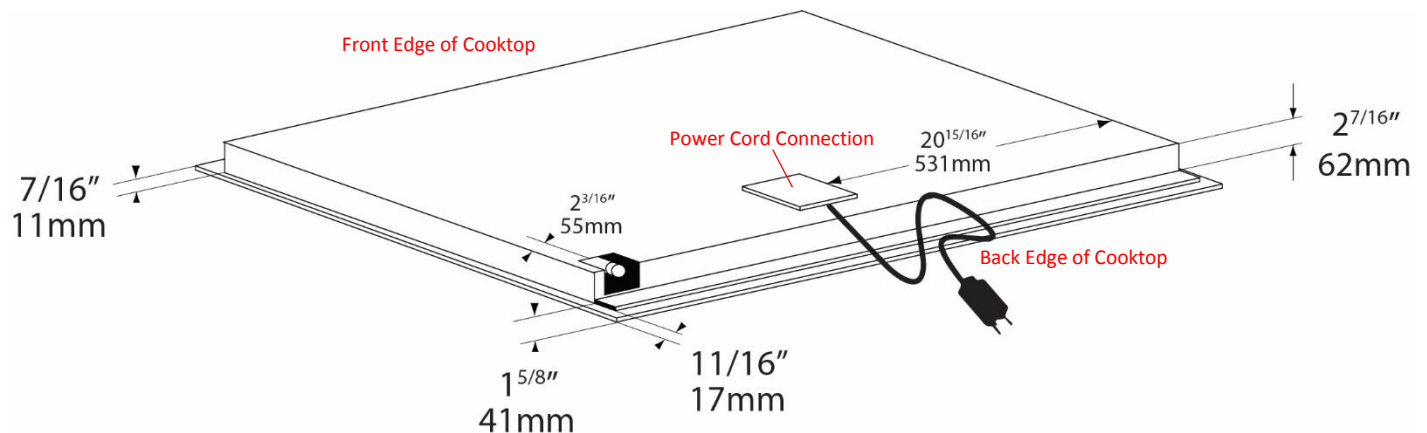
INSTALLING OVER BUILT-IN OVEN

- There must be a minimum of 20mm (13/16") of space left between the bottom of the cooktop and the oven to allow air to flow.
- There must be a minimum of 5mm (3/16") of space left between the counter top and the door panel of a built-in oven / drawer.
- If sufficient air flow is not provided, the life of the appliance will be shortened.

SIDE VIEW



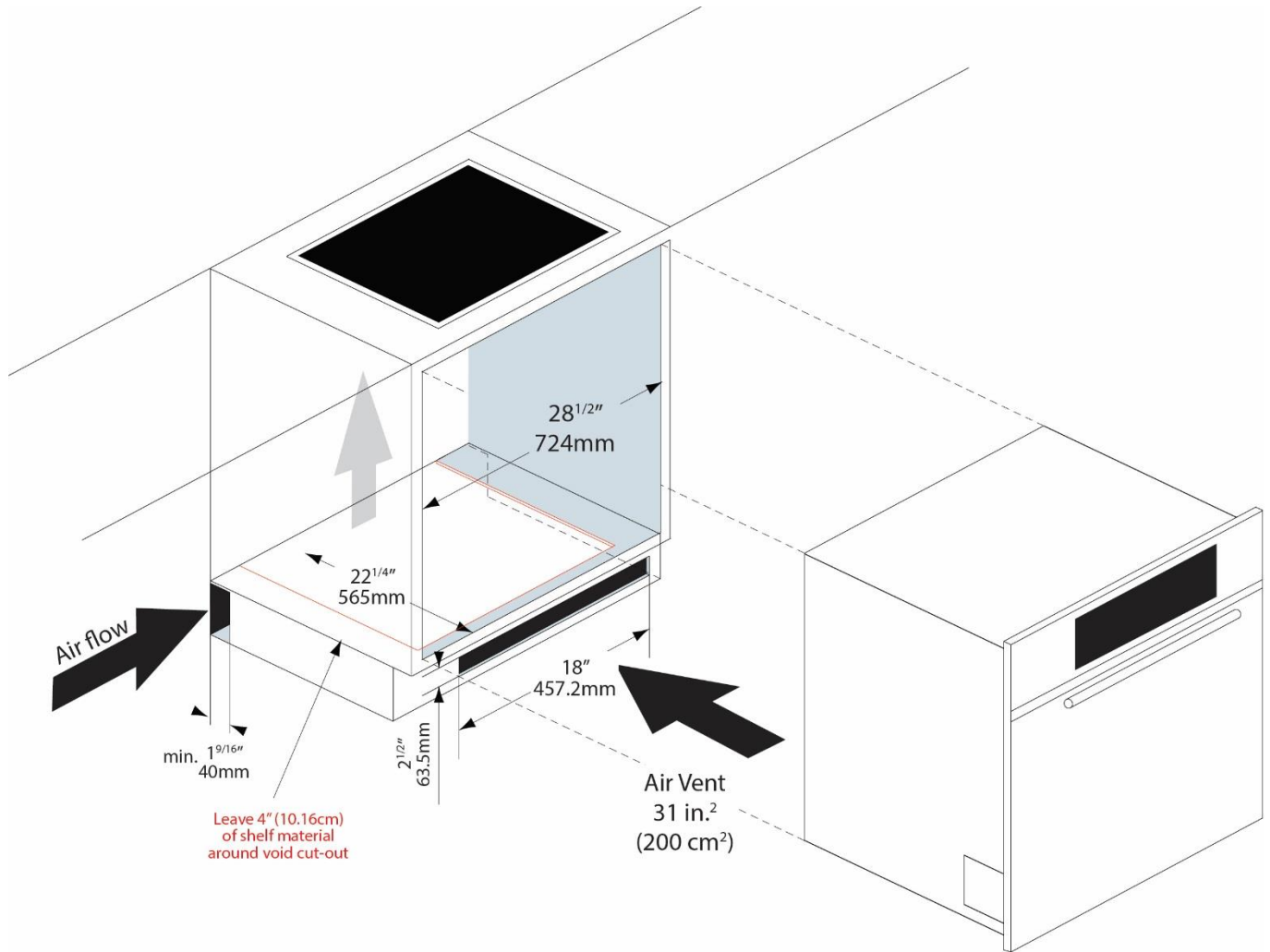
UNDERSIDE VIEW



Specifications

CG90WOK-F

RECOMMENDED CABINET SPECIFICATIONS WITH AN UNDER THE COUNTER OVEN



Specifications

CG90WOK-F

RECOMMENDED CABINET MINIMUM CLEARANCE

